

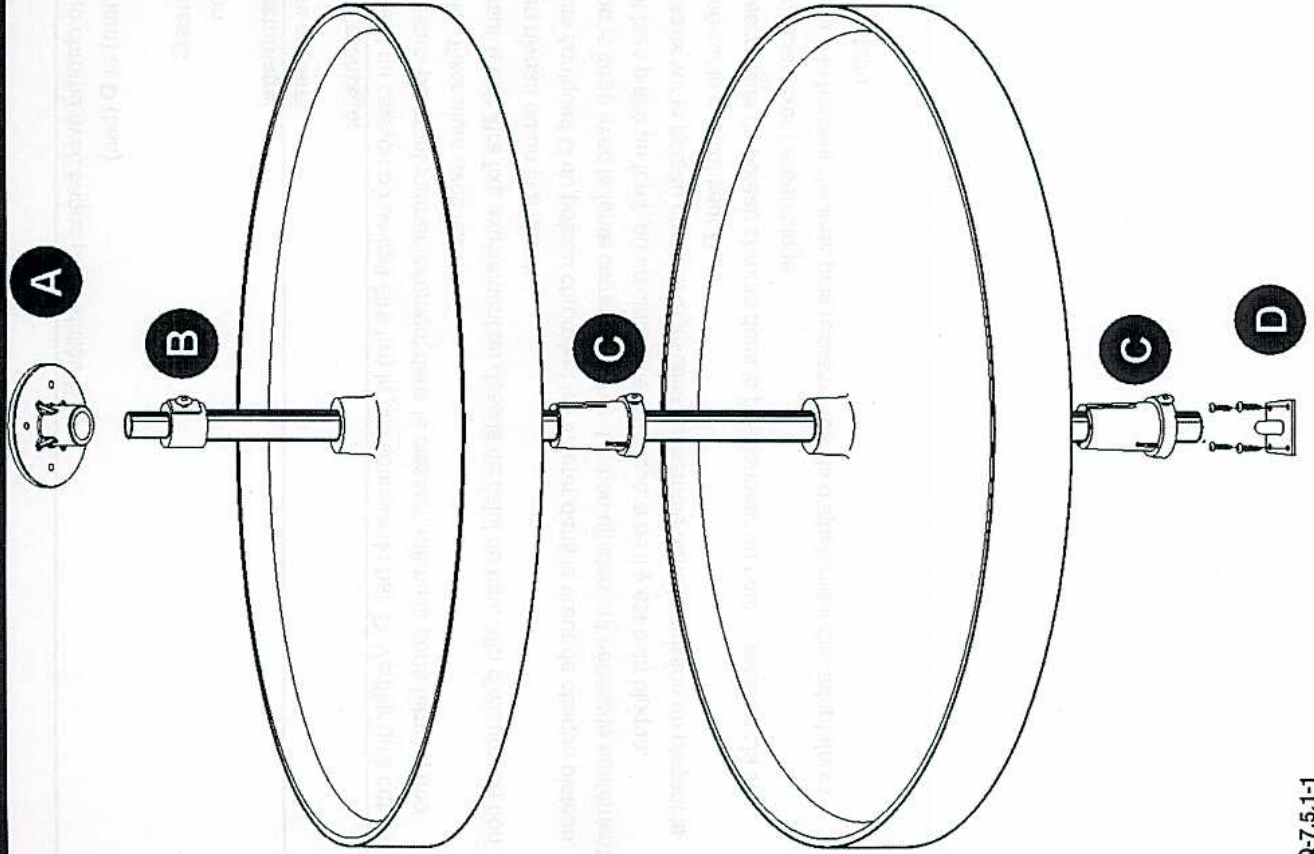
# Round Lazy-Susan Rotating Tray



## Installation Instructions

This Installation Instruction document is applicable for:

- BPO-0228 / 24 / 20 / 18 Round Polymer Lazy Susan



### Content List:

- 1 telescopic chrome post with pre-installed adjustment ring **B**
- 2 positioning supports: **A** (top) and **D** (bottom)
- 2 Round shelves
- 2 supporting cones **C**
- Mounting hardware

### Tools required for mounting:

- Screwdriver: Phillips or square drive

### Mounting Steps - Instructions:

1. Locate cabinet center for placement of lower positioning support **D**. Insure that you have adequate clearance for free rotation of tray after installation.  
Upper positioning support **A** must be placed directly above the lower. To achieve this, you should check vertical alignment with level or plumb line.
2. Remove plastic cones **C** from the chrome post and insert into center hole of each shelf from the bottom.

*Note:* make sure that you line up the wide rib with the wide slot. To ensure a proper fit, you must push the cone into the center hole until it snaps into the locked position.

3. Slide both shelves back onto the chrome post, then insert the bottom of post into lower positioning support **D**.
4. Insert telescoping portion of chrome post into the top positioning support **A**, and tighten set screw **B** to secure the assembly.
5. Adjust shelf height to desired level and fix into position by tightening the two set screws for each shelf.